

British Standard kerb product information



BES 6001-2008



A range of kerbs, channels and edging as specified in the current version of BS EN 1340.

- Designed to provide edge restraint in pedestrian and vehicular applications
- Complies with British Standards
- Range of accessories to suit a variety of applications

Applications

British Standard kerb is a cost effective kerb for all applications.

Manufacturing standard

British Standard kerb is manufactured using a wet pressed process and manufactured generally in accordance with European Standard BS EN 1340.

All Aggregate Industries' products are manufactured in accordance with ISO 9001 with factory compliance to ISO 14001.

Performance

Strength: The strength requirements are met to the manufacturing standard.

Slip and skid resistance: The potential for slip is 'low' in accordance with manufacturing standard.

Complementary products

Designed for use with Charcon flag and block paving ranges.



Colour swatch



1. Grey

NBS Plus

Q10. For NBS clauses, refer to Charcon technical services

British Standard kerb product information

British Standard kerb

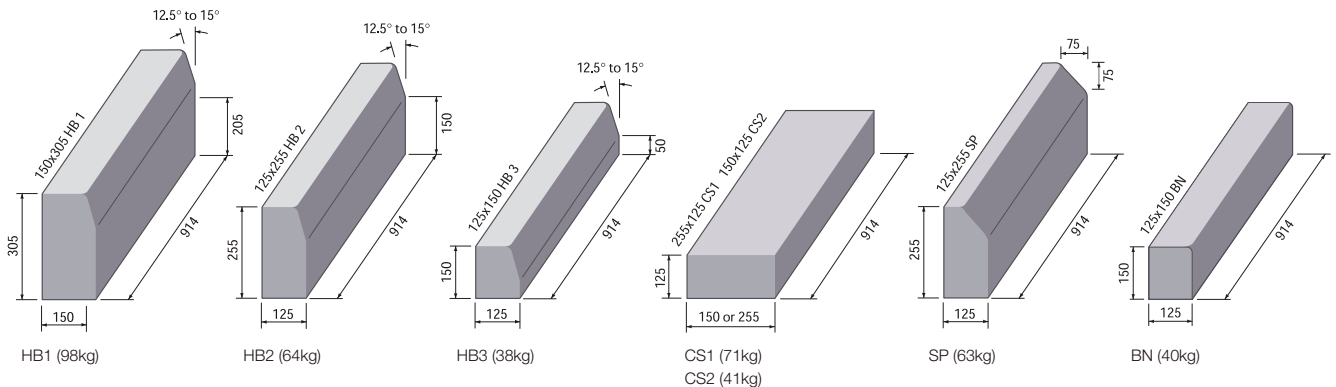
| Dimensions (mm) | HB1 | HB2 | HB2 | HB3 | BN1 | BN2 | BN2 | BN3 | BN3 | SP2 | SP2 | SP3 |
|------------------|-------|-----------------|----------------|---------|-------|-----------------|----------------|---------|-------|-------|-------|------|
| Length | 914 | 914 | 609 | 914 | 914 | 914 | 609 | 914 | 609 | 914 | 609 | 914 |
| Height | 305 | 255 | 255 | 150 | 305 | 255 | 255 | 150 | 150 | 255 | 255 | 150 |
| Width | 150 | 125 | 125 | 125 | 125 | 125 | 125 | 125 | 125 | 125 | 125 | 125 |
| Weight (kg) | 100 | 70 | 40 | 40 | 100 | 70 | 40 | 40 | 30 | 60 | 40 | 30 |
| Units/m (approx) | 1.09 | 1.09 | 1.64 | 1.09 | 1.09 | 1.09 | 1.64 | 1.09 | 1.64 | 1.09 | 1.64 | 1.09 |
| No. per pack | 14 | 18/16 | 18/16 | Various | 14 | 18/16 | 18/16 | Various | 24 | 18 | 18 | 24 |
| M/pack (approx) | 12.84 | 16.51/ 14.68 | 10.98/ 9.76 | Various | 12.84 | 16.51/ 14.68 | 10.98/ 9.76 | Various | 14.63 | 16.51 | 10.98 | 21.9 |
| Pack weight (T) | 1.4 | 1.26/1.12 | 0.72/0.64 | Various | 1.4 | 1.26/1.12 | 0.72/0.64 | Various | 0.72 | 1.26 | 0.72 | 0.72 |
| Colour available | Gy | Gy | Gy | Gy | Gy | Gy | Gy | Gy | Gy | Gy | Gy | Gy |

British Standard edging

| Dimensions (mm) | Flat top | Flat top | Flat top | Bullnose | Bullnose | Bullnose | Round top | Round top | Round top |
|------------------|----------|-----------------|-----------------|----------|-----------------|-----------------|-----------|-----------|-----------|
| Length | 914 | 914 | 914 | 914 | 914 | 914 | 914 | 914 | 914 |
| Height | 150 | 205 | 255 | 150 | 205 | 255 | 150 | 205 | 225 |
| Width | 50 | 50 | 50 | 50 | 50 | 50 | 50 | 50 | 75 |
| Weight (kg) | 15 | 20 | 30 | 15 | 20 | 30 | 15 | 20 | 40 |
| Units/m (approx) | 1.09 | 1.09 | 1.09 | 1.09 | 1.09 | 1.09 | 1.09 | 1.09 | 1.09 |
| No. per pack | 40 | 20/40 | 20/40 | 40 | 20/40 | 20/40 | 60 | 20 | 12 |
| M/pack (approx) | 36.56 | 18.28/ 35.56 | 18.28/ 36.56 | 36.56 | 18.28/ 35.56 | 18.28/ 36.56 | 55.05 | 18.28 | 11.01 |
| Pack weight (T) | 0.62 | 0.45 / 0.90 | 0.55 / 1.10 | 0.62 | 0.45 / 0.90 | 0.55 / 1.10 | 0.90 | 0.45 | 0.45 |
| Colour available | Gy | Gy | Gy | Gy | Gy | Gy | Gy | Gy | Gy |

Gy – Grey

HB – Half batter / BN – Bullnose / SP – Splay



Nominal weights of units shown in brackets.

British Standard kerb product information

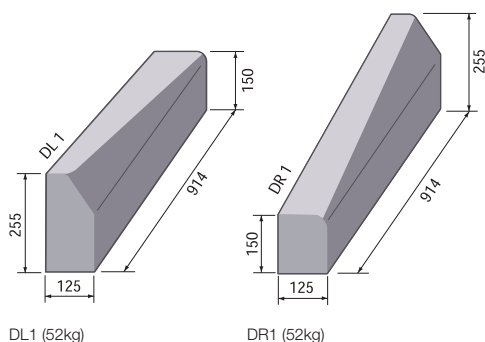
Droppers and crossing kerb

125x255mm HB – 125x150mm BN (LH) DL1
 125x255mm HB – 125x150mm BN (RH) DR1
 125x255mm SP – 125x150mm BN (LH) DL2
 125x255mm SP – 125x150mm BN (RH) DR2
 125x150mm BN as Crossing kerb
 125x255mm BN – 125x150 BN (LH) non BS
 125x255mm BN – 125x150 BN (RH) non BS

Radius droppers BS EN 1340

125x255mm HB – 125x150mm BN (LH)
 125x255mm HB – 125x150mm BN (RH)

Available in 4, 5, 6, 8 and 10m.



Radius kerbs and channels BS EN 1340

The table shown is an approximate guide only.

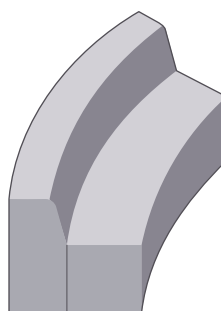
All radii over 15m (40 ft) can be achieved by using standard 914mm (3 ft) or 609mm (2 ft) kerbs.

Before ordering, check availability of size and profile.

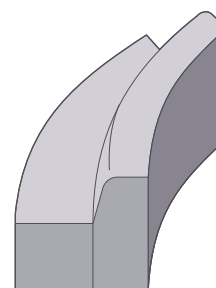
Also when ordering, please state the dimensions first, then the profile, then the radii followed by internal or external, eg 125x150 BN 4m ext.

Approx No. Units per 1/4 circle

| Size of radius (m) | Units per 1/4 circle |
|--------------------|----------------------|
| 0.5 | 1 |
| 1 | 2 |
| 2 | 4 |
| 3 | 6 |
| 4 | 8 |
| 5 | 10 |
| 6 | 12 |
| 8 | 16 |
| 10 | 20 |
| 15 | 30 |



Internal kerb external channel

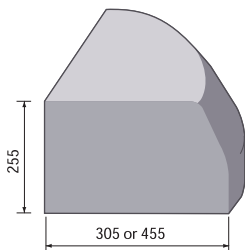


External kerb internal channel

British Standard kerb product information

Quadrants BS EN 1340

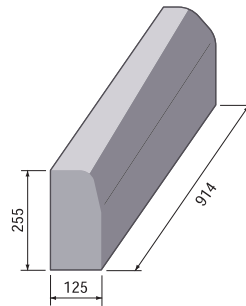
305x255mm QHB
455x255mm QHB
305x255mm QSP
305x255mm QBN
HB305 (42kg), HB455 (90kg)



HB305 (42kg), HB455 (90kg)

Transition kerbs BS EN 1340

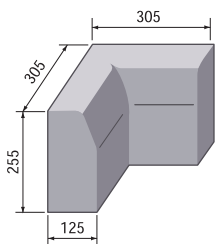
125x255mm HB RH – 125x255mm SP LH TR
125x255mm HB LH – 125x255mm SP RH TL



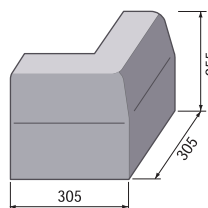
(60kg)

Angles BS EN 1340

125x255mm HB ext angle HBXA
125x255mm SP ext angle SPXA
125x255mm HB int angle HBIA
125x255mm SP int angle SPIA



IA (33kg)

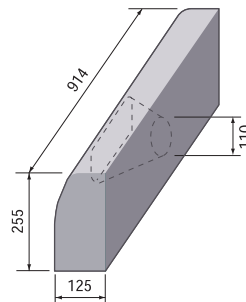


XA (33kg)

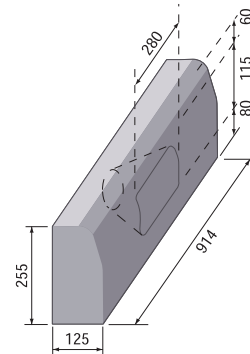
Offlets (Weir kerbs)

Designed to allow surface water to be discharged through the opening in the face of the kerb to a 100mm pipe.

Available in Half batter and splay.



(56kg)



(56kg)

British Standard kerb product information

Non-standard kerbs and channels

Subject to availability and minimum order quantity.

Kerbs

150x305mm BN
125x255mm BN
150x125mm HB

Scotland

150x175mm SP
150x175mm HB
125x175mm HB works order
125x205mm HB works order

Channels

150x150mm CS
150x100mm CS

Non-standard droppers and crossing kerb

125x255mm HB – 125x175 SP* (LH) DL
125x255mm HB – 125x175 SP* (RH) DR
125x175mm SP* as Crossing kerb

Double pattern

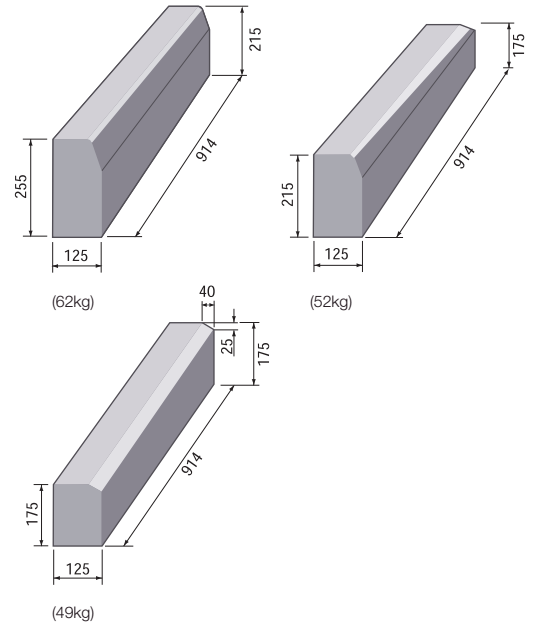
125x255mm HB – 125x215 WRCC (LH)
Order Code WR1

125x215mm HB – 125x175 WRCC (LH)
Order Code WR2

125x215mm HB – 125x175 WRCC (RH)
Order Code WR3

125x255mm HB – 125x215 WRCC (RH)
Order Code WR4

*NB 25 mm splay

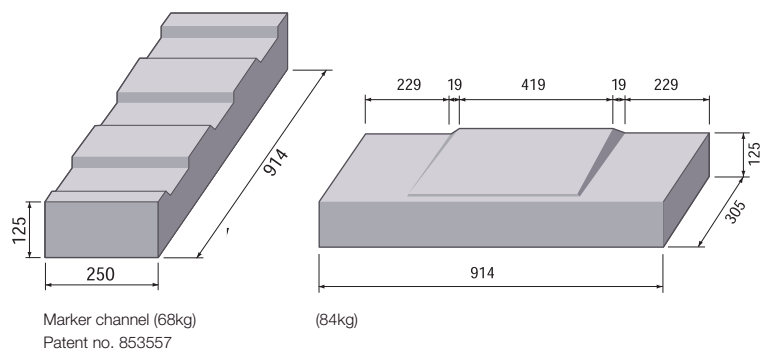


Marginal strips and marker channels

Marginal strips and marker channels, hydraulically pressed, are designed for motorways and other roads where raised kerbs are not used. They provide a visible marking and act as a rumble strip.

Available in straight lengths only.

Manufactured to order only.



Marker channel (68kg)
Patent no. 853557

(84kg)

British Standard kerb product information

Sustainability and local sourcing

Energy use: Aggregate Industries is at the forefront of sustainability and has committed to reduce carbon emissions by 20% by 2012 based on a base line.

Recyclable: 100% of the product can be recycled thus reducing the amount of material that is sent to landfill.

Manufacturing location: Produced in the UK, with locally sourced materials under strict environmental and social legislation, for local supply.

Responsible sourcing: Aggregate Industries is the first company in the world to achieve a BES 6001:2008 Responsible Sourcing Certificate from BRE Global. Products are assessed on:

- quality management
- environmental management
- health and safety management
- greenhouse gas emissions
- minimising raw material usage
- labour practice
- biodiversity
- community engagement.

Key aggregates and recycled content

British Standard kerb is manufactured using high quality, hard wearing granite aggregates.

Generic green guide rating*

Not applicable.

Policies

Aggregate Industries' policies on the environment and community, health and safety and sustainable solutions for different product applications can be viewed on our website www.aggregate.com

Installation standard

Install in accordance with the relevant section of BS 7533. For specific guidance refer to www.charcon.com or call the technical helpline on 01335 372222.

Maintenance and cleaning

Charcon can supply on request advice on specific stain removal and general maintenance, suitable cleaning products and referrals to specialist cleaning companies.

COSHH data

Full COSHH data on Charcon products is available on request. Please call the technical helpline on 01335 372222.

Technical support

Detailed guidance and assistance with the preparation of specification of Charcon hard landscaping products, including model clauses, is available through the sales office. A free technical design service is also available.

For further information, please refer to Charcon technical services on 01335 372222.

*Ratings based upon generic green guide values (2009) supplied by BRE Global Ltd, www.thegreenguide.co.uk

Hulland Ward, Ashbourne,
Derbyshire DE6 3ET

Tel: 01335 372222

Fax: 01335 370074

www.charcon.com



A member of the Holcim Group